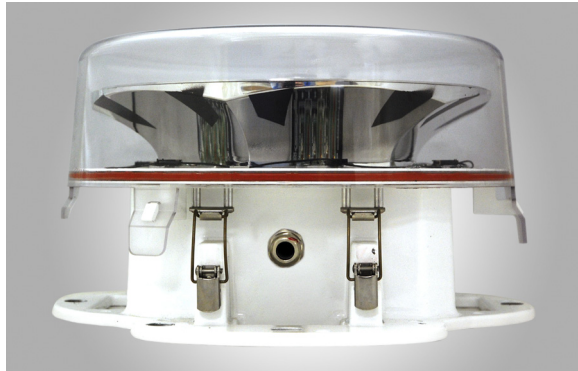
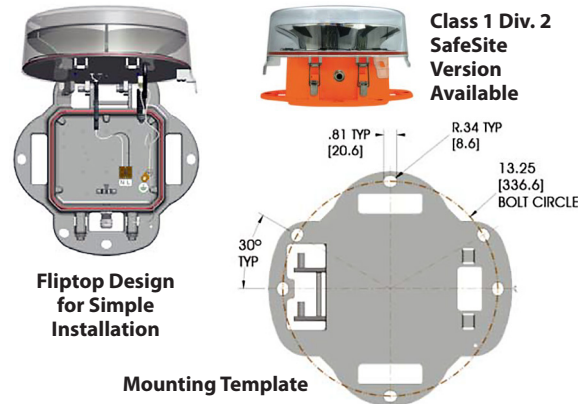


L-864 LED Based Red Medium Intensity Beacon

Infrared (IR) Version Available

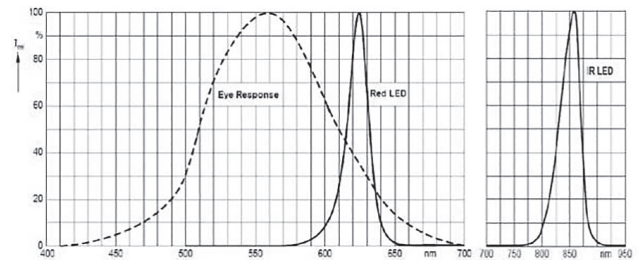


US Patent # 7,281,821 # 7,568,821. Other Patents Pending.



The Dialight L-864 LED based medium intensity red beacon utilizes state-of-the-art optical design to achieve the most compact, efficient, FAA compliant L-864 device in its class. While it readily interfaces into existing installations, its robust, low power design will provide years of maintenance free service (includes 5 year performance warranty).

The L-864 has extremely low RF interference, ideal for difficult environments, including "hot" AM towers. An infrared (IR) version is available for enhanced visibility through Night Vision Goggles (NVGs).*



Eye Response Frequencies

Certifications/Qualifications/Compliance

Certifications & Ratings: FAA AC No. 150/5345-43G • IP 66
 Qualified by: Intertek ETL • CSA
 Compliant to: Transport Canada CAR 621.19
 ICAO Annex 14 • DGAC Mexico

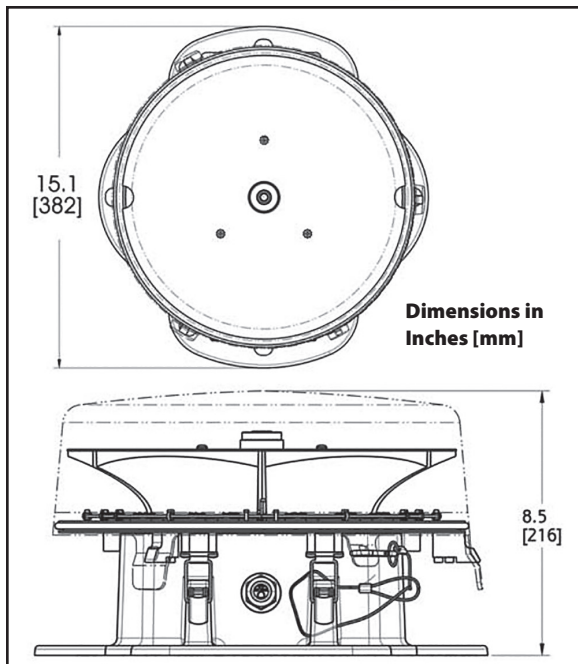


Specifications

- Unit Weight: 28 lbs (8.18 kg)
- Operating Voltage:
 AC: 120–240 VAC 50/60 Hz power factor corrected supply
 DC: 24–48VDC +/-10%
- Supply Voltage Ranges: Nominal +/- 10%
- Effective Intensity: 2,000 cd
- Wattage:
 3.3 W (16.75% duty cycle) — standard
 7.0 W (16.7% duty cycle) — IR version
- 20 flashes per min. with 0.5 sec. "on" time
- Operating Temp: -40°F to +131°F (-40°C to +55°C)
- Power Factor: >0.9

Order Codes

Part Number	Description	Voltage	Cert./Compl.
D564-A13-001	Flash Head	120/240 VAC	FAA (TC) L-864
D564-C13-001-TC	Flash Head	120/240 VAC	TC only L-864
D564-A54-001	Flash Head,	24-48VDC	FAA (TC) L-864
D564-R13-001	Flash Head - Red + IR	24-48VDC	FAA (TC) L-864



*Night Vision Goggles (NVG) and Aviator Night Vision Imaging Systems (ANVIS) sense infrared (IR) light at various wavelength ranges. Accordingly, Dialight and P&R Tech make no claim or representation that the IR light emitted by the L-864 light is visible to any make or model of any NVG or ANVIS. In no event shall Dialight, P&R Tech, or any of their representatives be liable for any damages, including, without limitation, direct, consequential, indirect, punitive, incidental or special damages, in connection with the IR light emitted by the L-864 light and/or whether any NVG or ANVIS can sense such IR light or whether the IR light emitted by the L-864 light is visible to any NVG or ANVIS, regardless of the form of action.